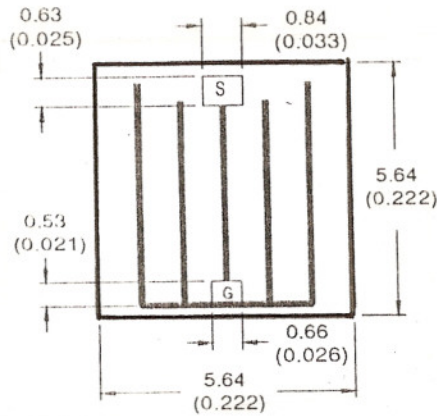




# Sierra Components, Inc.

2222 Park Place Building 3 Suite E • Minden, Nevada 89423  
Phone: 775.783.4940 Fax: 775.783.4947

Chip back potential is the level which bulk silicon is maintained by on-chip connection, or it is the level to which the chip back must be connected when specifically stated below. If no potential is given the chip back should be isolated.



**Topside Metal:** Al  
**Backside:** CrNiAg  
**Backside Potential:**  
**Mask Ref:** Issue 1  
**Bond Pads:** .003" min

**APPROVED BY:** CB  
**MFG:** IRI

**DIE SIZE:** .222" x .222"  
**THICKNESS:** .014"

**DATE:** 2/8/01  
**P/N:** IRFCE40

DG 10.1.2  
Rev A 3-4-99